

WAVEGUIDES 7850 - 7855

Metal tubes designed to block electromagnetic waves for non metallic materials

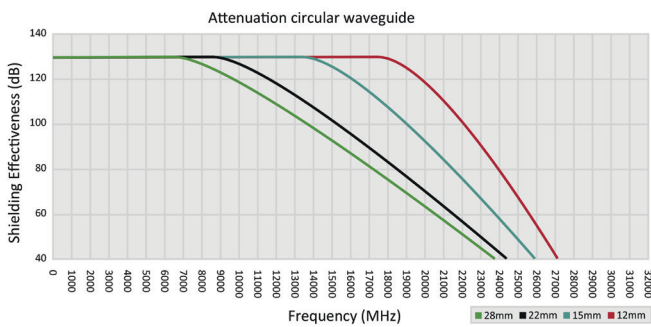


Waveguides are specially designed metal tubes in order to block electromagnetic waves. They are available in almost any size depending on frequency. Attenuation curve is in relationship with diameter. Any non metallic material can be fed through the waveguide such as optical fiber, water, gas or air.

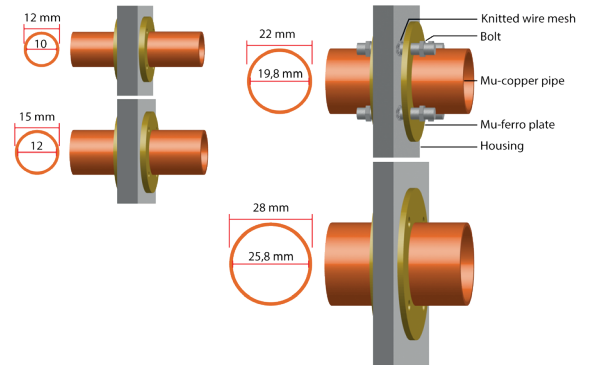
There are two versions available of the waveguide. A Mu-copper version and a brass version with thread.

The Mu-copper version (7850) is available in 12mm, 15mm, 22mm and 28mm and the brass version (7855) with thread is available in 11.5mm, 21mm, 33mm and 47,5mm.

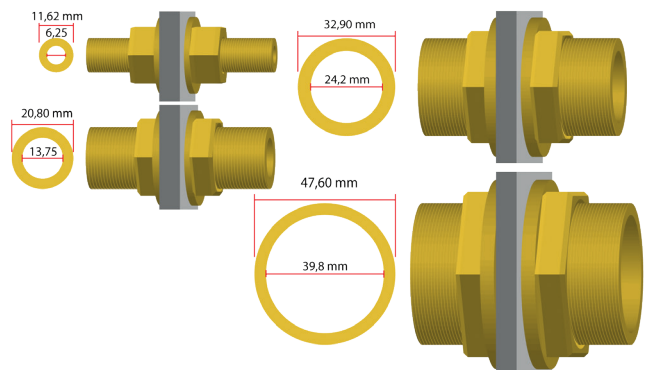
ATTENUATION WAVEGUIDE



WAVEGUIDE COPPER VERSION 7850



WAVEGUIDE BRASS WITH THREAD VERSION 7855



ORDER EXAMPLE

Part number	Length (mm)
7850 : Mu-copper waveguides	Specify the length in mm
7855 : Brass waveguides with thread	